

CNW 525

Three-phase mains filter (4 lines, single-stage)



Unique Selling Point

- easy installation
- aesthetic design
- low temperature rise
- compact construction
- touch-proof terminals
- very high damping with small leakage current

Description

Applications: Interference suppression of electronic devices in control panels, easy installation on top hat rail.

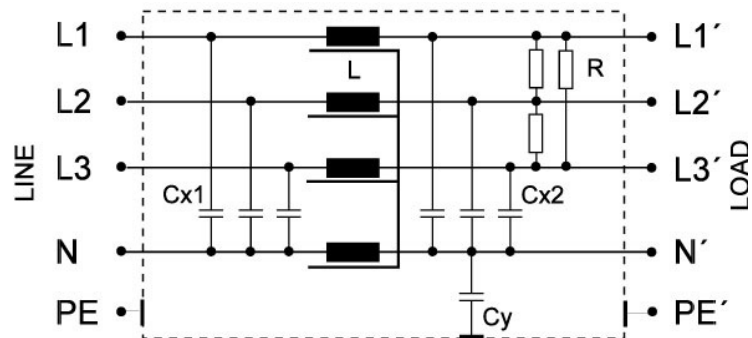
- Conforming to: VDE 0656-3 / IEC 950 / UL 1283
- Test voltage: L-N 2100 V,DC 1s, L/N-PE 2700 V,DC 1s
- Overload: 1,5 x I 1 min/h
- Climatic category: DIN IEC 68 Teil 1 25/085/21

Technical Data

- Nominal Voltage : 440 V
- Rated current : 3 - 30 A

Recommended filter for EN 55011, Klasse A und EN 61800-3, Kategorie C2. Less time and work for the mounting in control panels. The assembly of these filters on top hat rails enables to reduce the number of drilled holes and screw fixings to a minimum.

Circuit example



Your contact:

+49-(0)2 12-88 04-0 • info@reo.de



CNW 525

Three-phase mains filter (4 lines, single-stage)

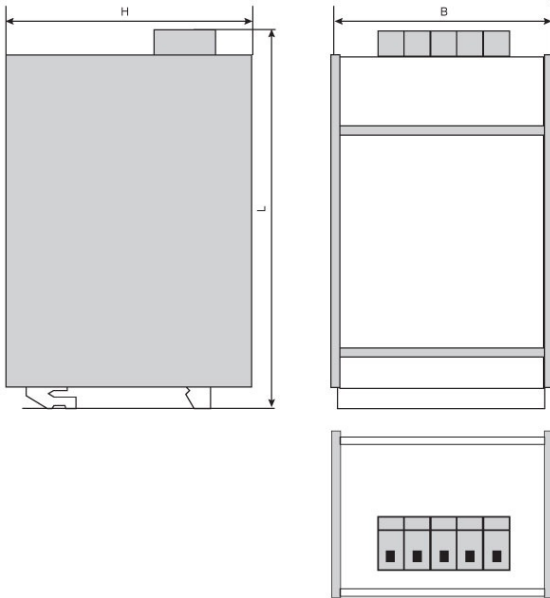
Technical data

Type	Rated voltage [V]	Rated current [A]	Leakage current [mA]	Cx [μF]	Cy [nF]	L [mH]	R [kOhm]
CNW 525/3	3 x 440	4 x 3	<3,5	0,5	40	3	560
CNW 525/6		4 x 6	<3,5	0,5	40	2,2	560
CNW 525/10		4 x 10	<3,5	0,5	40	1,0	560
CNW 525/16		4 x 16	<3,5	0,5	10	1,5	560
CNW 525/20		4 x 20	<3,5	0,5	10	1,2	560
CNW 525/30		4 x 30	<3,5	0,5	10	0,8	560

CNW 525

Three-phase mains filter (4 lines, single-stage)

Dimensions



Type	Connection	PE-Connection	B [mm]	H [mm]	L [mm]
CNW 525/3	Terminals 4 mm ²	Terminals 4 mm ²	104	74	120
CNW 525/6	Terminals 4 mm ²	Terminals 4 mm ²	104	74	120
CNW 525/10	Terminals 4 mm ²	Terminals 4 mm ²	104	74	120
CNW 525/16	Terminals 4 mm ²	Terminals 4 mm ²	174	74	120
CNW 525/20	Terminals 4 mm ²	Terminals 4 mm ²	174	74	120
CNW 525/30	Terminals 6 mm ²	Terminals 6 mm ²	174	74	120

CNW 525

Three-phase mains filter (4 lines, single-stage)

Insertion loss

Dämpfungsverlauf

