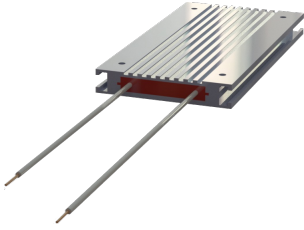


REOHM BW 151

Braking resistor, max. continuous power: 300 W



Unique Selling Point

- Very flat and compact construction with notches for a vertical mounting
- Easy installation
- Short-circuit proof
- Suitable for the use with any frequency drive
- Use even in rough conditions
- Good heat dissipation, assembly on heat sink possible
- Highly resistive on overload

Description

Braking resistor for drives with frequency converters of low to medium power or as a charging resistor. Mounting close to the frequency inverter.

- protection class IP 20 / IP 54
- higher protection classes on request
- test voltage 2.5 kV AC
- other capacities and mounting dimensions on request

Technical Data

- Resistance values : 1,1 - 2000 Ohm
- Continuous power : 50 - 300 W
- max. operating voltage : 900 V

Your contact:

+49-(0)2 12-88 04-0 • info@reo.de



REOHM BW 151

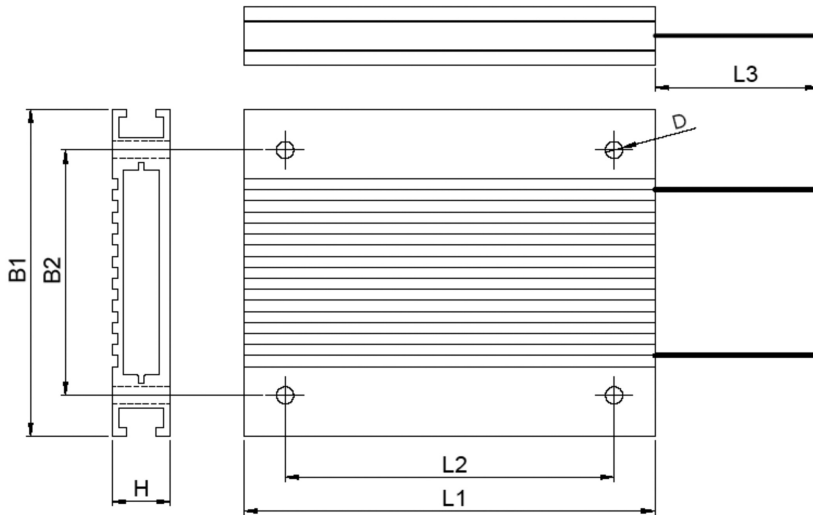
Braking resistor, max. continuous power: 300 W

- easily combined
- intrinsically safe
- very flat and compact design with open grooves for vertical mounting
- adaptation to any frequency inverter
- very good heat dissipation, mounting on heat sink possible
- high resistance at overload
- quick connection
- also with UL certification see overview "UL-certified products from REO".

REOHM BW 151

Braking resistor, max. continuous power: 300 W

Dimension drawings



Dimensions

Type	B1 [mm]	B2 [mm]	H1 [mm]	L1 [mm]	L2 [mm]	L3 [mm]	D [mm]	Connections
BW 151 / 50 /...	80	60	14	70	50	250	4,2	2 x AWG 18,UL 1659
BW 151 / 100 /...	80	60	14	110	80	250	4,2	2 x AWG 18,UL 1659
BW 151 / 150 /...	80	60	14	160	130	250	4,2	2 x AWG 18,UL 1659
BW 151 / 200 /...	80	60	14	210-216	180	250	4,2	2 x AWG 18,UL 1659
BW 151 / 250 /...	80	60	14	260	230	250	4,2	2 x AWG 18,UL 1659
BW 151 / 300 /...	80	60	14	310	280	250	4,2	2 x AWG 18,UL 1659

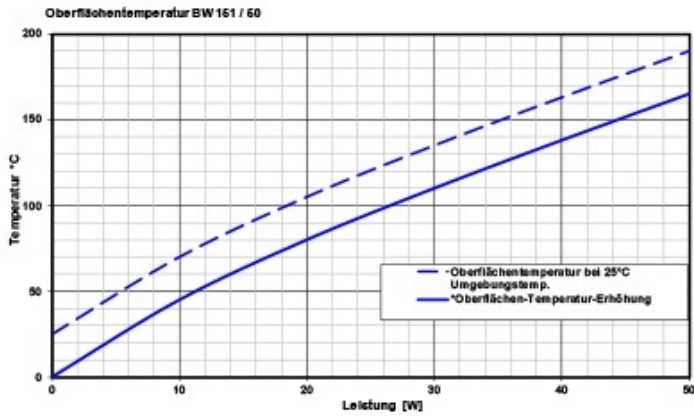
Other mounting-variations possible as customization

REOHM BW 151

Braking resistor, max. continuous power: 300 W

Surface temperature as a function of load

Surface temperature REOhm 151 / 100



Surface temperature increase, even over temperature, describes the increase in surface temperature when loaded.